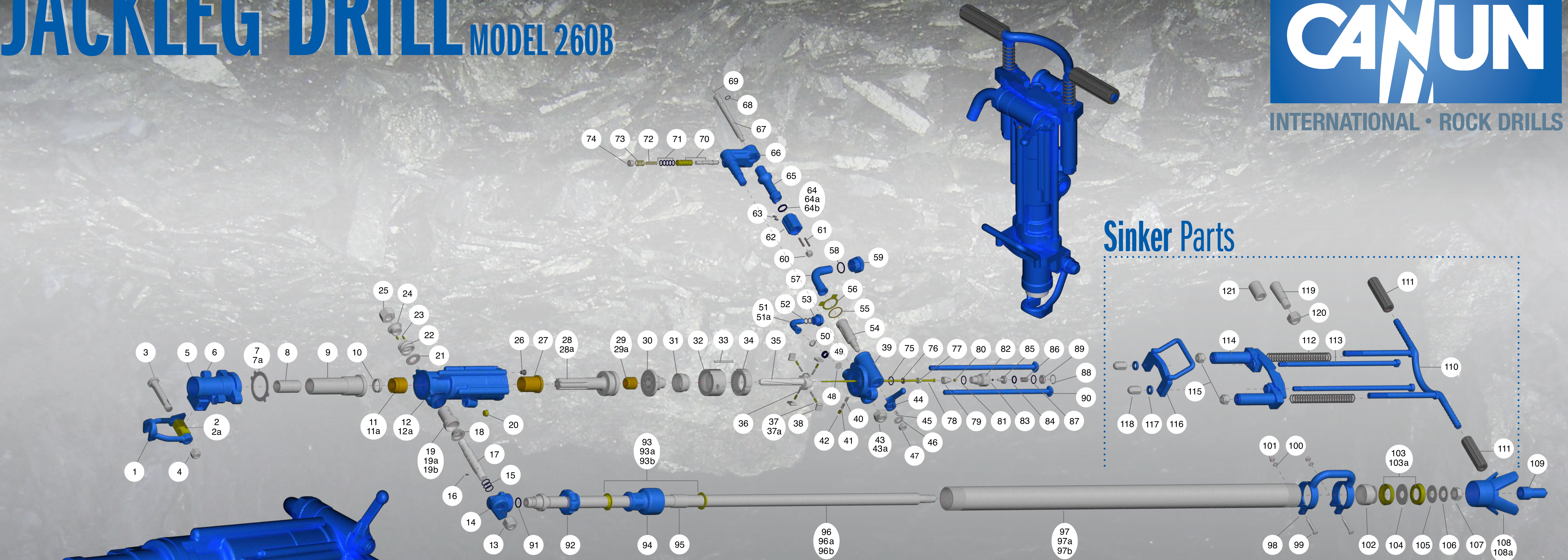


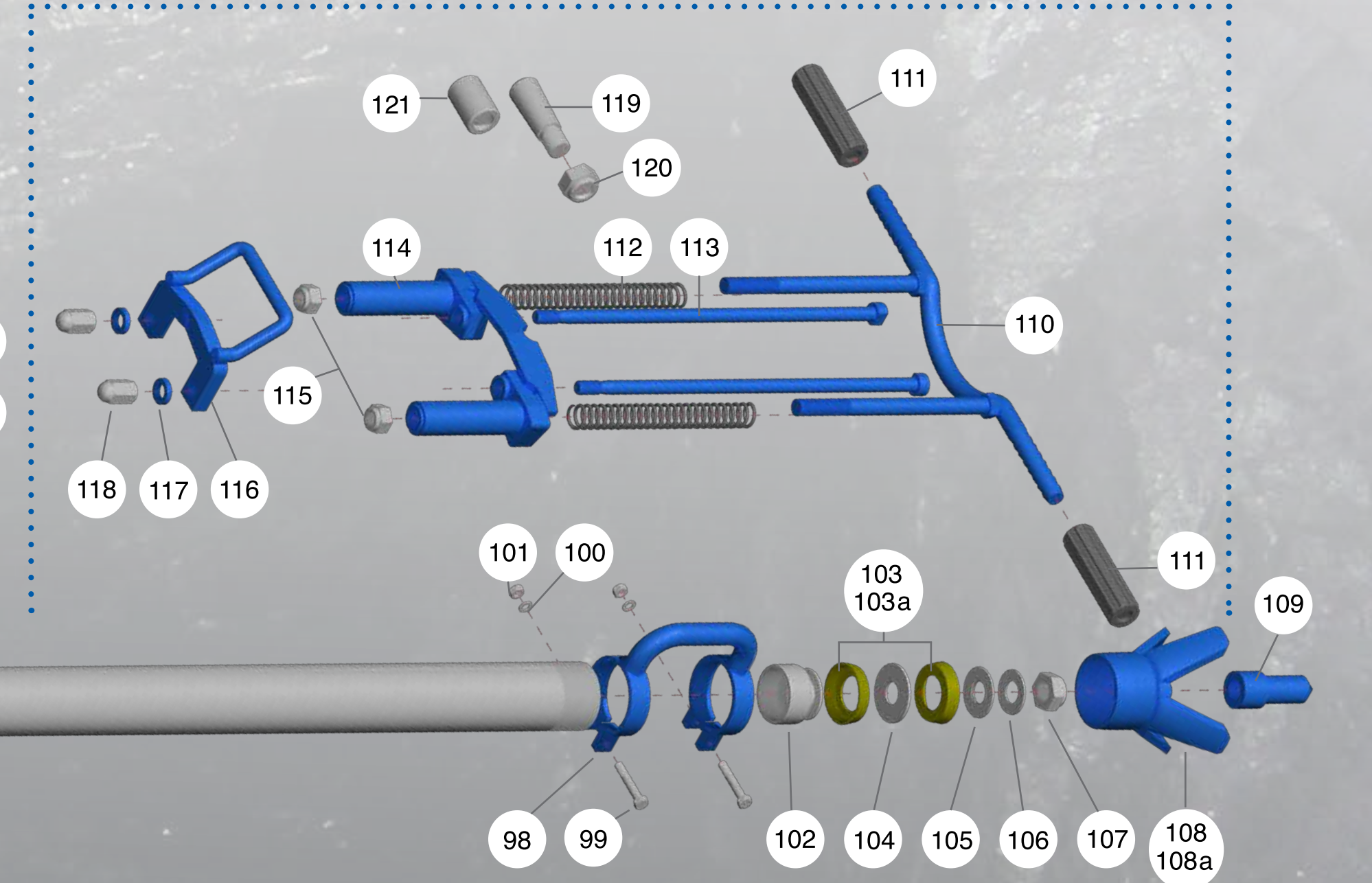
JACKLEG DRILL MODEL 260B



INTERNATIONAL • ROCK DRILLS



Sinker Parts



Jackleg Drill

| REF | PART NO. | QTY | DESCRIPTION |
|-----|----------|-----|------------------------------------|
| 1 | A699 | 1 | Steel retainer |
| 2 | 1358164 | 2 | Buffer |
| 2A | D6205M | 2 | Buffer c/w spacer |
| 3 | C6908 | 1 | Steel retainer pin |
| 4 | 12812UF | 1 | Nut |
| 5 | A2598A | 1 | Fronthead |
| 6 | D1388 | 2 | Side Rod Nut |
| 7 | NB500C | 1 | Copper gasket |
| 7A | NB500P | 1 | Plastic gasket |
| 8 | C1418A | 1 | Chuck bushing 7/8 |
| 9 | B1178 | 1 | Chuck (includes C1516) |
| 10 | C1516 | 1 | Chuck washer |
| 11 | C1512 | 1 | Chuck nut |
| 11A | 12146 | 1 | Chuck nut 6 spline use with 11116S |
| 12 | E393 | 1 | Cylinder |
| 12A | E393M | 1 | Cylinder (muffled) |
| 13 | D1982 | 1 | Clevis body spindle nut |
| 14 | A693A | 1 | Clevis body |
| 15 | 164231 | 3 | Clevis body spindle "O" ring |
| 16 | 30066 | 1 | Clevis body locating pin |
| 17 | B1182A | 1 | Clevis body spindle |
| 18 | D1398 | 1 | Clevis body spindle cone |
| 19 | C1523 | 1 | Cylinder lug bushing |
| 19A | C15233 | 1 | Cylinder lug bushing O/S .003 |
| 19B | C15235 | 1 | Cylinder lug bushing O/S .005 |
| 20 | NB739 | 2 | Exhaust plug |
| 21 | D1392 | 1 | Spindle thrust washer |
| 22 | C1571 | 1 | Spindle spring |
| 23 | D1426 | 2 | Lock washer key |
| 24 | C1519 | 1 | Spindle lock washer |
| 25 | C1527 | 1 | Spindle nut |
| 26 | 9001093 | 1 | Rubber ferrule |
| 27 | C1517 | 1 | Front cylinder liner |
| 28 | B2334 | 1 | Piston (8 spline) |
| 28A | 11116S | 1 | Piston (6 spline) |
| 29 | C1508 | 1 | Rifle nut |

| REF | PART NO. | QTY | DESCRIPTION |
|-----|----------|-----|-----------------------------------|
| 29A | 7599G | 1 | Rifle nut (small) use with 11116S |
| 30 | A744 | 1 | Valve plug |
| 31 | C1648 | 1 | Valve |
| 32 | A745 | 1 | Valve box |
| 33 | D1397 | 1 | Valve box locating pin |
| 34 | B1170 | 1 | Ratchet ring |
| 35 | B1173R | 1 | Rifle bar (reversible) |
| 36 | D1611C | 4 | Pawl spring |
| 37 | NB805 | 4 | Pawl plunger |
| 37A | S21-34 | 4 | Steel pawl plunger |
| 38 | D1381R | 4 | Pawl (reversible) |
| 39 | A660 | 1 | Backhead |
| 40 | D1383 | 1 | Throttle valve plunger |
| 41 | D1382 | 1 | Throttle valve spring |
| 42 | 2422P | 1 | Plug |
| 43 | D1454 | 1 | Adapter nut |
| 43A | D1454D | 1 | Adapter nut (domed) |
| 44 | C1609 | 1 | Throttle valve handle |
| 45 | D1384 | 1 | Throttle valve key |
| 46 | 149163MT | 1 | Disc spring washer |
| 47 | D1385 | 1 | Throttle valve handle nut |
| 48 | C1272 | 1 | Water inlet screen |
| 49 | D1402 | 1 | Water inlet washer |
| 50 | S2487 | 1 | Water stem thrust washer |
| 51 | C1809 | 1 | Water stem |
| 51A | C1528 | 1 | Water stem (serrated) |
| 52 | 164811 | 2 | "O" ring |
| 53 | S2141 | 1 | Water stem nut |
| 54 | B1176 | 1 | Throttle valve |
| 55 | D1601 | 1 | Air bend nut washer |
| 56 | 12153 | 1 | Air bend nut lock washer |
| 57 | C1525 | 1 | Air bend |
| 58 | 164731 | 1 | "O" ring |
| 59 | C1526 | 1 | Air bend nut |
| 60 | 1218UF | 1 | Spindle nut |
| 61 | 300822 | 2 | Twist grip stop pin |

| REF | PART NO. | QTY | DESCRIPTION |
|-----|----------|-----|--------------------------------|
| 62 | C1518 | 1 | Twist grip |
| 63 | 30088 | 2 | Twist grip key pin |
| 64 | 164631B | 1 | Friction ring (standard) Black |
| 64A | 164631Y | 1 | Friction ring (medium) Yellow |
| 64B | 164631G | 1 | Friction ring (large) Green |
| 65 | B1180 | 1 | Control body |
| 66 | A697 | 1 | Handle adapter |
| 67 | B1183 | 1 | Control spindle |
| 68 | 164811 | 1 | "O" ring |
| 69 | 1125NF02 | 1 | Spindle plug |
| 70 | C151415 | 1 | Retract valve assembly |
| 71 | 164811 | 5 | "O" ring |
| 72 | D1424 | 1 | Plunger spring |
| 73 | D1425 | 1 | Sleeve spring |
| 74 | D1427 | 1 | Retract plug |
| 75 | 164231 | 1 | "O" ring |
| 76 | D1675 | 1 | Water tube seal |
| 77 | D1674 | 1 | Water tube spacer |
| 78 | C1574A | 1 | Water tube |
| 78A | C1574B | 1 | Water tube 1/8" hole |
| 79 | C2144 | 1 | Water valve seat retainer |
| 80 | D1673 | 1 | Water valve seat |
| 81 | 164231 | 1 | "O" ring |
| 82 | B1181PC4 | 1 | Water control valve body |
| 83 | 164301 | 1 | "O" ring |
| 84 | 164521 | 1 | "O" ring |
| 85 | C1522PC1 | 1 | Water valve |
| 86 | D1406 | 1 | Water valve spring |
| 87 | 164231 | 1 | "O" ring |
| 88 | 20015 | 1 | Circlip |
| 89 | C1521PC1 | 1 | Water valve cap |
| 90 | C1572 | 2 | Side rod |
| 91 | 164531 | 1 | "O" ring |
| 92 | C1520 | 1 | Adapter nut |
| 93 | 1973854 | 2 | Top cap hat packing |
| 93A | 1973854A | 2 | Hat packing - double lip |

| REF | PART NO. | QTY | DESCRIPTION |
|------|----------|-----|------------------------------|
| 93B | 1973854B | 2 | Hat packing - double packing |
| 94 | B1287 | 1 | Top cap |
| 95 | D1069 | 1 | Top cap bushing |
| 96 | B1851A | 1 | Piston rod - 51" stroke |
| 96A | B1849 | 1 | Piston rod - 39" stroke |
| 96B | B3004 | 1 | Piston rod - 30" stroke |
| 97 | C1788A | 1 | Feed cylinder - 51" stroke |
| 97A | C1790 | 1 | Feed cylinder - 39" stroke |
| 97B | C3519 | 1 | Feed cylinder - 30" stroke |
| 98 | B1308 | 1 | Carrying handle |
| 99 | 1028W12 | 2 | Carrying handle bolt |
| 100 | 1436 | 2 | Carrying handle washer |
| 101 | 1206W | 2 | Carrying handle nut |
| 102 | D1515A | 1 | Bucket spacer |
| 103 | 1796740 | 2 | Piston rod bucket |
| 103A | 1796740M | 2 | Piston rod bucket - soft |
| 104 | D1438A | 1 | Piston rod spacer |
| 105 | D1439A | 1 | Bucket spacer |
| 106 | D2038 | 1 | Piston rod nut lock washer |
| 107 | D1073A | 1 | Piston rod locknut |
| 108 | C1791 | 1 | Bottom cap - 4 prong |
| 108A | C2646 | 1 | Bottom cap - 2 prong |
| 109 | C1672 | 1 | Bottom cap spike |

| SINKER HANDLE ASSEMBLY (19049) | | | |
|--------------------------------|----------|-----|--------------------------|
| REF | PART NO. | QTY | DESCRIPTION |
| 110 | B3352 | 1 | Tee handle |
| 111 | S2120 | 2 | Tee handle grip |
| 112 | D2584 | 2 | Tee handle spring |
| 113 | C1582 | 2 | Side rod |
| 114 | C3844 | 1 | Tee handle guide |
| 115 | 12812UF | 2 | Tee handle nylock nut |
| 116 | B1729 | 1 | Strirrup handle |
| 117 | D2154 | 2 | Side rod nut washer |
| 118 | D1388D | 2 | Side rod nut |
| 119 | C1939 | 1 | Backhead lug bushing |
| 120 | D1454 | 1 | Backhead lug bushing nut |
| 121 | C1940 | 1 | Cylinder lug bushing |

MADE IN CANADA
CANUN INTERNATIONAL

2896 Belisle Drive, Val Caron, Ontario, Canada P3N 1B3
Tel: 705-897-0400 Toll: 1-800-461-6226 Fax: 705-897-3250

An ISO 9001: Registered Company
www.canun.com

